

A

B

C

D

E

F

REV	ECN No.	DESCRIPTION	DESIGN	DATE
A0		Release	张一荣	2013.07.17

1

1

2

2

3

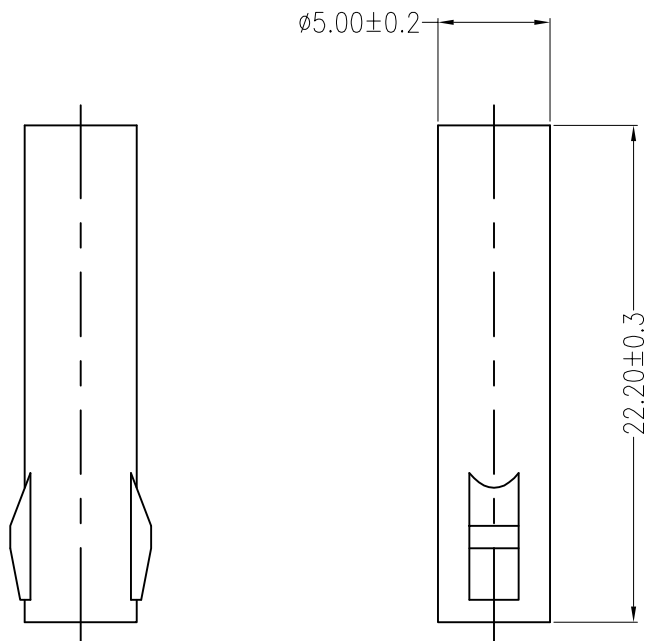
3

4

4

5

5



主要技术参数 Main Specifications

线 数 (Poles): 01

接触电阻 (Contact resistance): $\leq 20\text{m}\Omega$

绝缘电阻 (Insulation resistance): $\geq 1000\text{M}\Omega$

额定电压 (Rated voltage): 250V AC DC

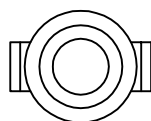
额定电流 (Rated current): 5.0A AC DC

耐 电 压 (Withstand Voltage): 1500V AC/minute

温度范围 (Temperature Range): $-25^{\circ}\text{C} \sim +85^{\circ}\text{C}$

ORDER INFORMATION:

C1581P-01-A5W-P			
PART No.	01	PACKAGING:	P=PE
No. OF CIRCUITS:	01	PLASTIC MATERIAL:	A5W=PA66 (White)



C	B	A	ITEM	
		PEDESTAL	1 PCS	PA66 COLOR:WHITE
			COMPONENT	Q'TY MATERIAL FINISH
JKUN 温州健坤接插件有限公司 WENZHOU JKUN CONNECTOR CO., LTD.			TITLE: - 1.58mmPITCH Housing	
X.±0.5	X.±5'	USE:	PART NO.:	
.X±0.3	.X±2'	APPD:	C1581P-01-A5W-P	
.XX±0.25	.XX±1'	CHKD:	DWG NO.:	
--	--	DR:	JKUN/GCCP-0593	
	UNITS:	蒋建银	SCALE	SHEET
	mm		1 : 1	1 / 1

A

B

C

D

E

F