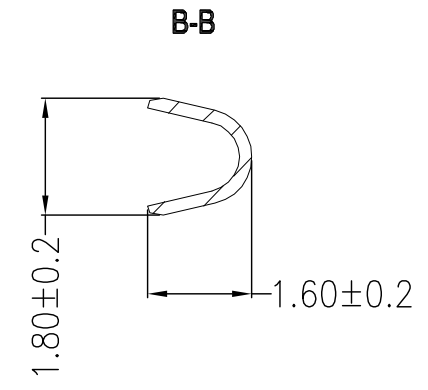
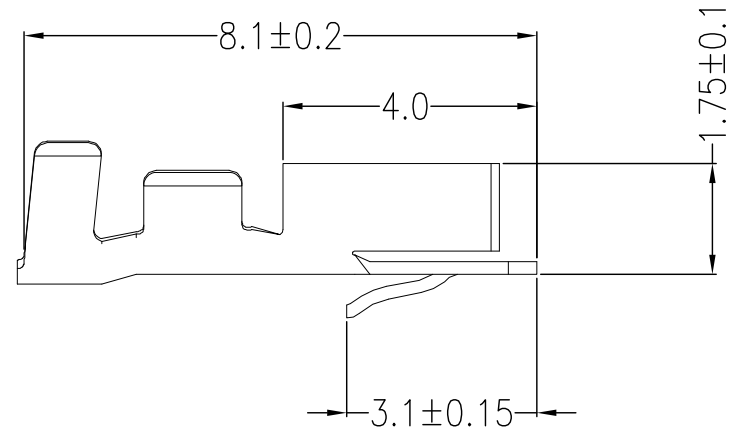
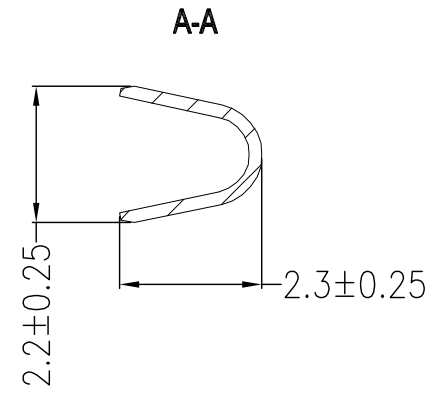
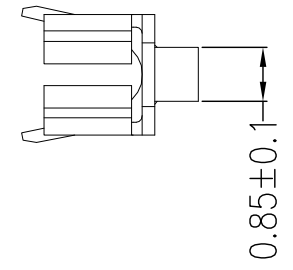
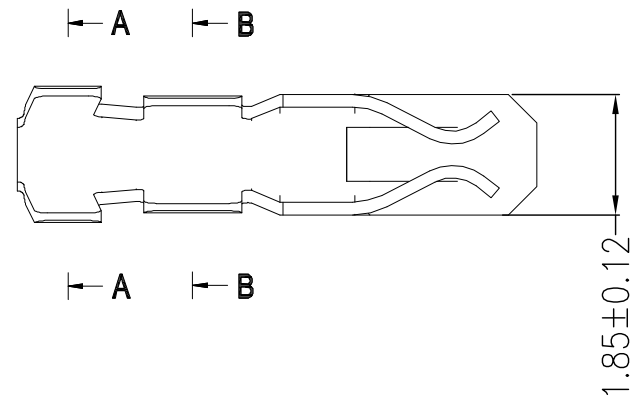


REV	DESCRIPTION	DESIGN	DATE
A0	NEW RELEASE	蒋建银	2016/05/20



Ordering Information & Specification:

Part No	Wire Range	Insulation O. D.	Material	Finish	Qty/Reel
C2507PT	AWG #28~#22	1.0~1.8mm	Phosphor bronze	Sn-plated	
JKUN 温州健坤接插件有限公司 WENZHOU JKUN CONNECTOR CO.,LTD.				TITLE: -	
GENERAL TOLERANCE		USE: CUSTOMER		PART NO.:	
X. ±0.50	X. ±5'	APPD: 刘振岭		C2507PT	
X.X ±0.30	X.X ±2'	CHKD: 王亮		DWG NO.:	
X.XX ±0.20	X.XX ±1'	DR: 蒋建银		JKUN-GCDZ-0087	
UNITS: mm		SCALE 1 : 1		SHEET 1 / 1	