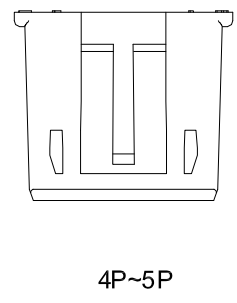
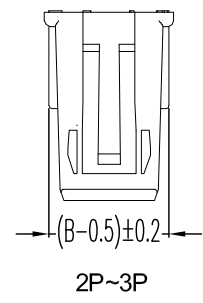
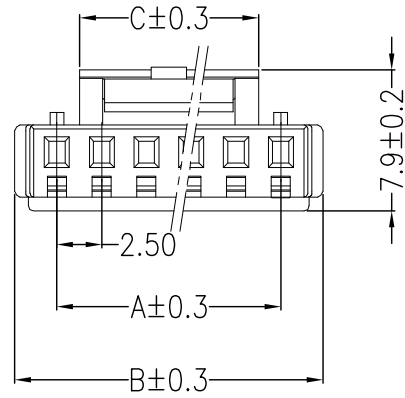
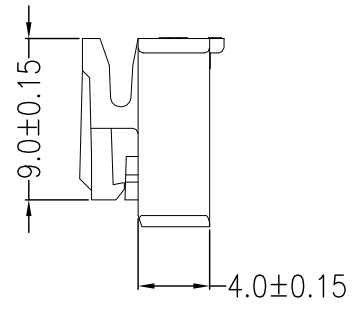
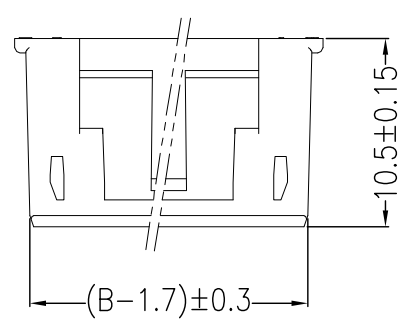


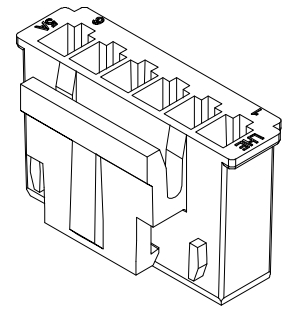
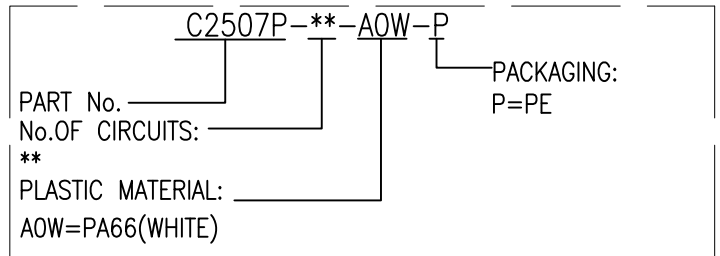
REV	DESCRIPTION	DESIGN	DATE
A0	NEW RELEASE	蒋建银	2016/05/20



**Specifications:**

Contact resistance: ≤10mΩ  
 Insulation resistance: ≥1000MΩ  
 Rated voltage: 250V AC DC  
 Rated current: 3.0A AC DC  
 Withstand Voltage: 1000V AC/minute  
 Temperature Range: -25°C ~ +85°C  
 Housing: PA66, WHITE

**ORDER INFORMATION:**



Part No.	Dimensions mm		
	A	B	C
C2507P-02	2.50	7.20	3.0
C2507P-03	5.00	9.70	3.0
C2507P-04	7.50	12.20	4.8
C2507P-05	10.00	14.70	4.8
C2507P-06	12.50	17.20	10.0
C2507P-07	15.00	19.70	10.0
C2507P-08	17.50	22.20	12.5
C2507P-09	20.00	24.70	12.5
C2507P-10	22.50	27.20	15.0
C2507P-11	25.00	29.70	15.0
C2507P-12	27.50	32.20	17.5
C2507P-13	30.00	34.70	17.5
C2507P-14	32.50	37.20	17.5
C2507P-15	35.00	39.70	17.5

**JKUN** 温州健坤接插件有限公司  
 WENZHOU JKUN CONNECTOR CO.,LTD.

TITLE: SMH250-*R	
PART NO.: C2507P-**-A0W-P	
DWG NO.: JKUN-GCCP-0767	
SCALE 1 : 1	SHEET 1 / 1

GENERAL TOLERANCE		USE:
X. ±0.50	X. ±5°	CUSTOMER
X.X ±0.30	X.X ±2°	APPD: 刘振岭
X.XX ±0.20	X.XX ±1°	CHKD: 王亮
UNITS: mm	DR: 蒋建银	