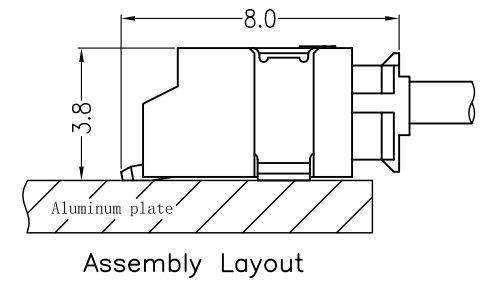
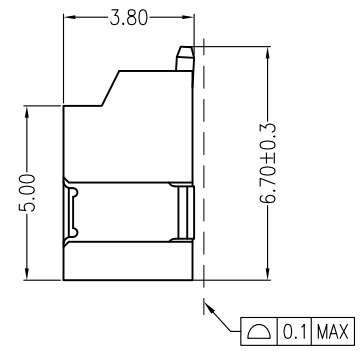
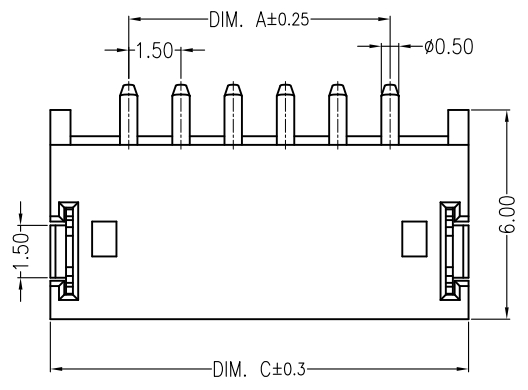
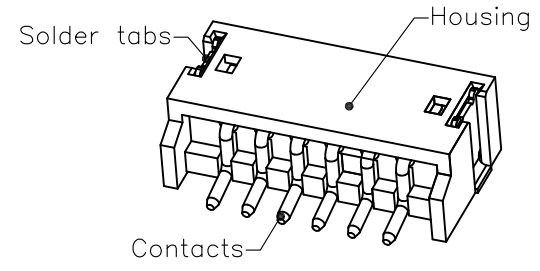
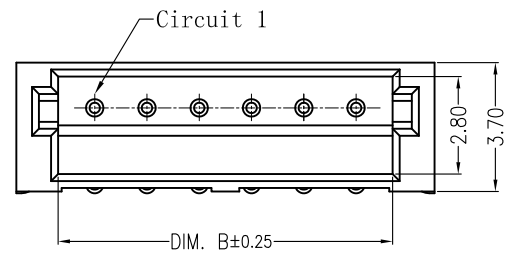


REV	DESCRIPTION	DESIGN	DATE
A0	NEW RELEASE	Wudanping	2016/05/05

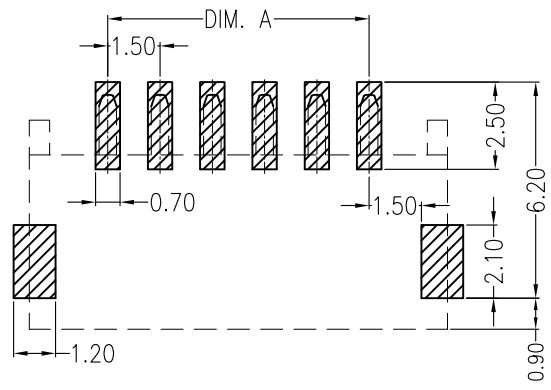
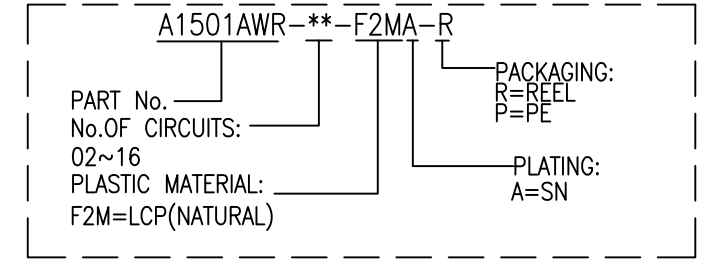


**Specifications:**  
 Contact resistance: ≤20mΩ  
 Insulation resistance: ≥500MΩ  
 Rated voltage: 125V AC DC  
 Rated current: 1.0A AC DC  
 Withstand voltage: 500V AC/minute  
 Temperature range: -25℃ ~ +105℃  
 Housing: LCP UL94V-0, Natural  
 Contacts: Brass/Sn  
 Solder tabs: Phosphor bronze/Sn



3D VIEWS

ORDER INFORMATION:



SUGGESTED PCB LAYOUT

Circuits	Dimensions (mm)		
	DIM. A	DIM. B	DIM. C
02	1.50	3.60	6.00
03	3.00	5.10	7.50
04	4.50	6.60	9.00
05	6.00	8.10	10.50
06	7.50	9.60	12.00
07	9.00	11.10	13.50
08	10.50	12.60	15.00
09	12.00	14.10	16.50
10	13.50	15.60	18.00
11	15.00	17.10	19.50
12	16.50	18.60	21.00
13	18.00	20.10	22.50
14	19.50	21.60	24.00
15	21.00	23.10	25.50
16	22.50	24.60	27.00

**JKUN** 温州健坤接插件有限公司  
 WENZHOU JKUN CONNECTOR CO.,LTD.

TITLE:  
 1.50mmPITCH 90°WAFER SMT TYPE

GENERAL TOLERANCE	USE:
X. ±0.50	CUSTOMER
X.X ±0.30	APPD: Shaojinghe
X.XX ±0.20	CHKD: Zenglingqing
UNITS: mm	DR: Jiangjianyin

PART NO.:	
A1501AWR-**-F2MA-R	
DWG NO.:	
JKUN/GCKH-0518	
SCALE	SHEET
1 : 1	1 / 1