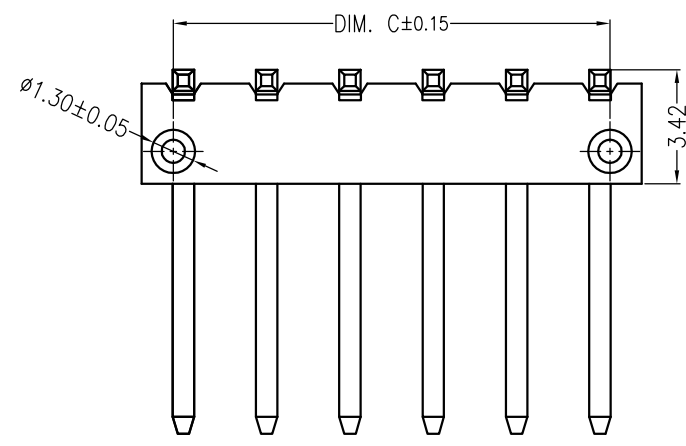
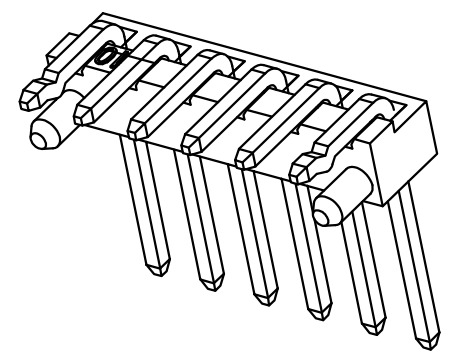
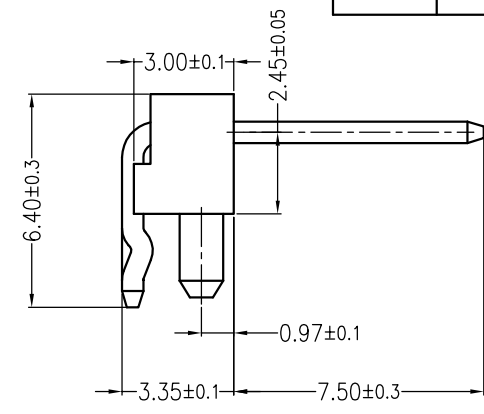
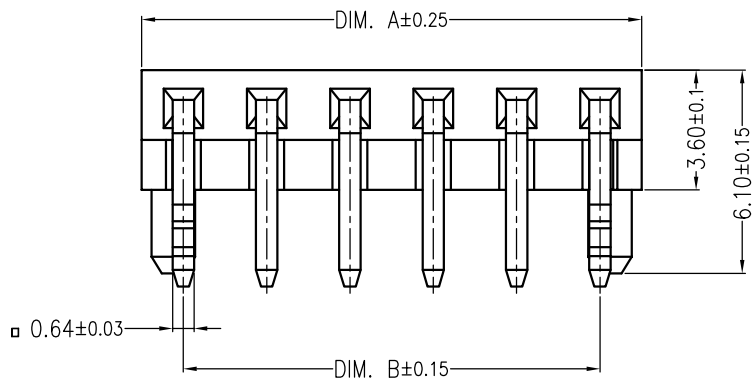


REV	DESCRIPTION	DESIGN	DATE
A0	Release	吴丹平	2016.05.03



Circuit	Dimensions (mm)		
	DIM. A	DIM. B	DIM. C
02	5.00	2.50	3.10
03	7.50	5.00	5.60
04	10.00	7.50	8.10
05	12.50	10.00	10.60
06	15.00	12.50	13.10

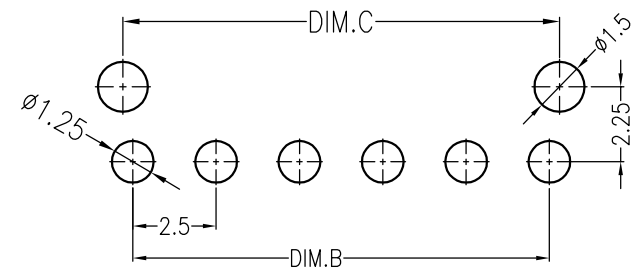
主要技术参数 Main Specifications

- 接触电阻 (Contact resistance): $\leq 20m\Omega$
- 绝缘电阻 (Insulation resistance): $\geq 1000M\Omega$
- 额定电压 (Rated voltage): 125V AC DC
- 额定电流 (Rated current): 1.0A AC DC
- 耐电压 (Withstand Voltage): 1000V AC/minute
- 温度范围 (Temperature Range): $-40^{\circ}C \sim +130^{\circ}C$

ORDER INFORMATION:

L017A--F2MA-P-A**

PART No.:		SPECIAL CODE:	
No. FOR CIRCUITS:		A=针外露7.5	
02~06		PACKAGING:	P=PE
PLASTIC MATERIAL:		PLATING:	A=Sn
F2M=LCP (BEIGE)			



**SUGGESTED PCB LAYOUT
(COMPONENT SIDE)**

ITEM	COMPONENT	Q'TY	MATERIAL	FINISH
C				
B	CONTACT	6 PCS	Brass	Sn-plated
A	PEDESTAL	1 PCS	LCP	UL 94V-0, COLOR:BEIGE

JKUN 温州健坤接插件有限公司
WENZHOU JKUN CONNECTOR CO., LTD.

TITLE: -
2.5mmPITCH 90°WAFER SMT TYPE

X.±0.5	X.±5'	USE: CUSTOMER	PART NO.: L017A-**-F2MA-P-A
.X±0.3	.X±2'		
.XX±0.25	.XX±1'	APPD: 邵敬和	DWG NO.: JKUN/GCCP-0033
--	--	CHKD: 田峰	SCALE: 1:1
	UNITS: mm	DR: 吴丹平	SHEET: 1 / 1