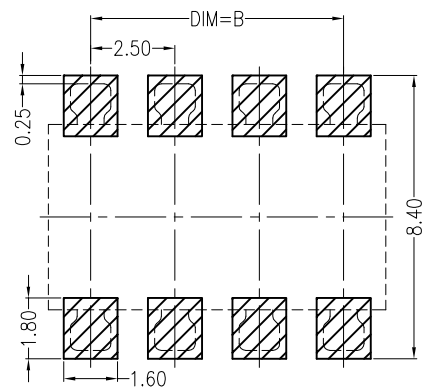
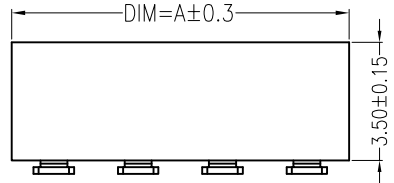
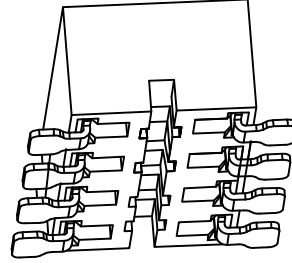
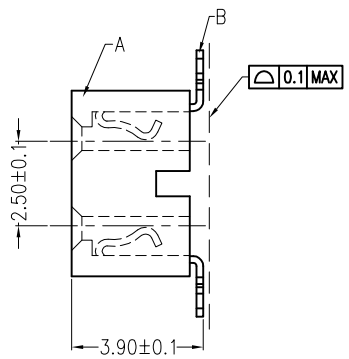
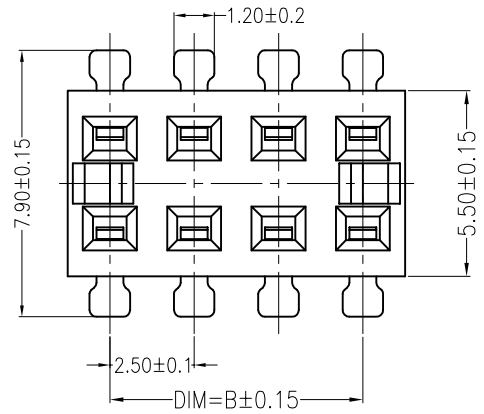
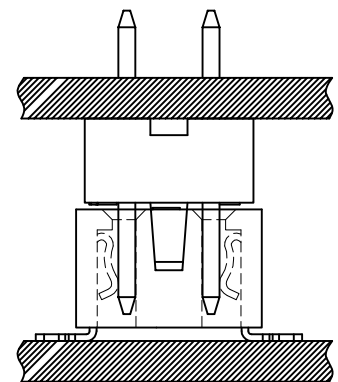


REV	ECN No.	DESCRIPTION	DESIGN	DATE
A0		Release	李润	2015.12.28



Board Layout  
General Tolerance: ±0.05

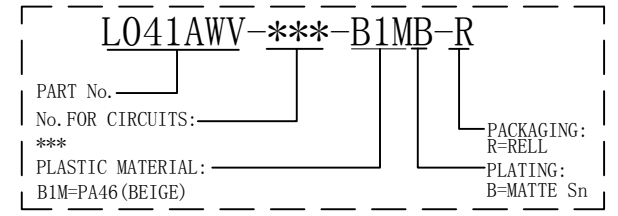


Assembly Layout

主要技术参数 Main Specifications

- 线数 (Poles): 04 to 12
- 接触电阻 (Contact resistance): ≤20mΩ
- 绝缘电阻 (Insulation resistance): ≥1000MΩ
- 额定电压 (Rated voltage): 125V AC DC
- 额定电流 (Rated current): 1.0A AC DC
- 耐电压 (Withstand Voltage): 1000V AC/minute
- 温度范围 (Temperature Range): -40℃ ~ +110℃

ORDER INFORMATION:



ITEM	COMPONENT	Q'TY	MATERIAL	FINISH
C				
B	CONTACT	4~12PCS	PhosphorBronze	MATTE Sn
A	HOUSING	1 PCS	PA46	UL 94V-0, COLOR:BEIGE

Circuit	Dimensions (mm)	
	DIM=A	DIM=B
L041AWV-2X2	5.00	2.50
L041AWV-2X3	7.50	5.00
L041AWV-2X4	10.00	7.50
L041AWV-2X5	12.50	10.00
L041AWV-2X6	15.00	12.50

**JKUN** 温州健坤接插件有限公司  
WENZHOU JKUN CONNECTOR CO.,LTD.

TITLE: -  
2.5mmPITCH 180°WAFER DIP TYPE

USE: CUSTOMER  
APPD: 邵敬和  
CHKD: 田峰  
DR: 吴丹平

UNITS: mm

PART NO.: L041AWV-\*\*\*-B1MB-R  
DWG NO.: JKUN-GCCP-0205  
SCALE: 1 : 1  
SHEET: 1 / 1