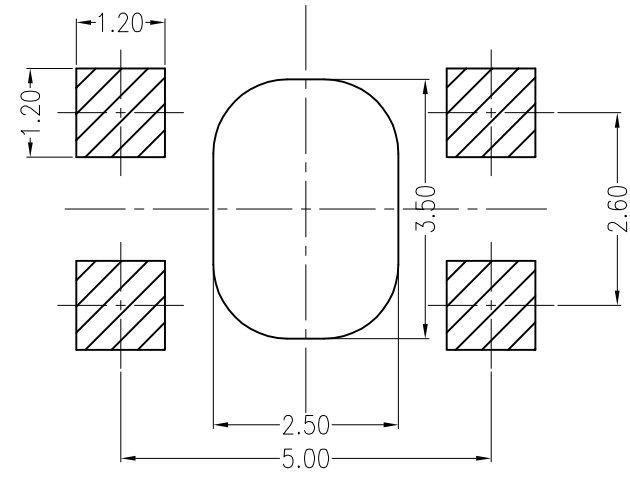
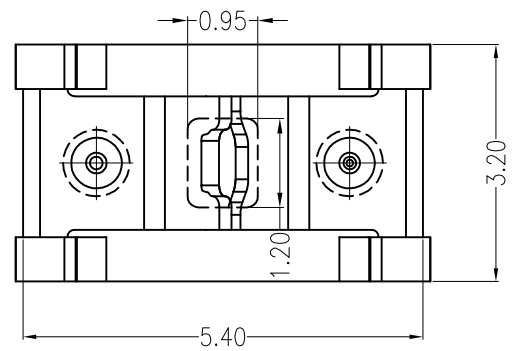
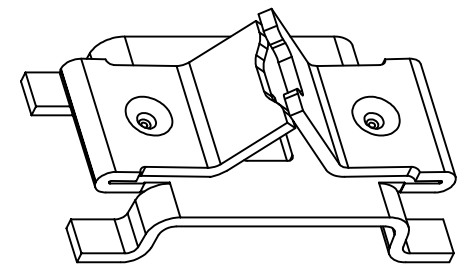
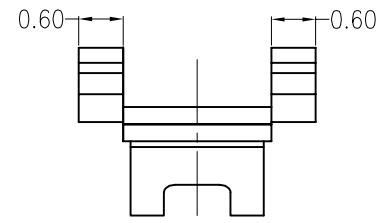
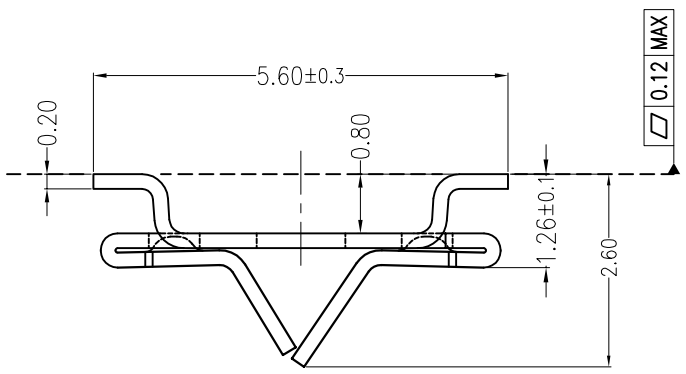


REV	ECN No.	DESCRIPTION	DESIGN	DATE
BO		Release	田峰	2017.08.31
-			-	-



主要技术参数 Main Specifications

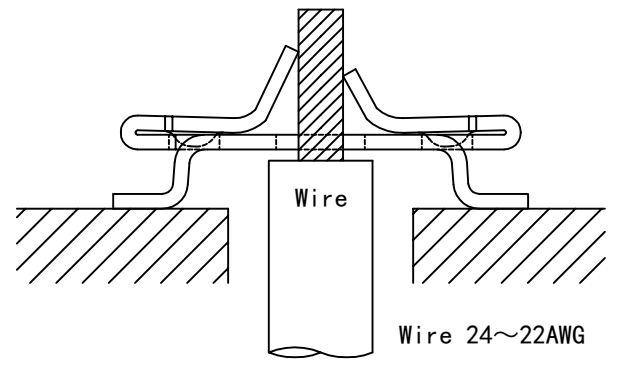
线 数 (Poles): 01
 接触电阻 (Contact resistance): $\leq 20m\Omega$
 额定电压 (Rated voltage): 250 V AC DC
 额定电流 (Rated current): 1.0A AC DC
 温度范围 (Temperature Range): $-45^{\circ}C \sim +125^{\circ}C$

ORDER INFORMATION:

L068K-01-000B1-R

PART No.:		PACKAGING:	R=REEL
No. FOR CIRCUITS:	01		P=PE
PLASTIC MATERIAL:	000=No plastic parts	METAL CODE:	1=PHOSPHORBRONZE
		PLATING:	B=MATTE Sn

SUGGESTED PCB LAYOUT



Assembly Layout

ITEM	COMPONENT	Q'TY	MATERIAL	FINISH
A	CONTACT	1 PCS	PhosphorBronze	MATTE Sn-plated
JKUN 温州健坤接插件有限公司 WENZHOU JKUN CONNECTOR CO., LTD.				
X.±0.5	X.±5'	USE:	CUSTOMER	
.X±0.3	.X±2'	APPD:	邵敬和	
.XX±0.25	.XX±1'	CHKD:	田峰	
--	--	DR:	吴丹平	
UNITS: mm		TITLE:		-
		PART NO.:		L068K-01-000B1-R
		DWG NO.:		JKUN-GCCP-0405
		SCALE	SHEET	
		1 : 1	1 / 1	