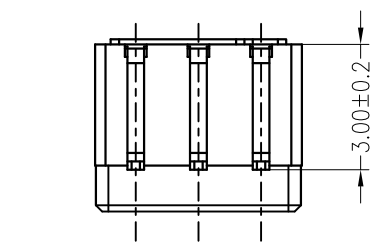
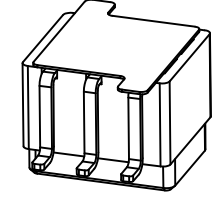
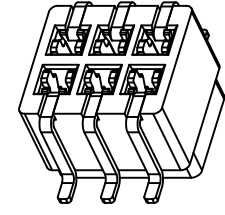
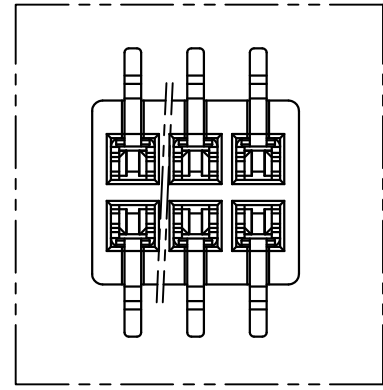
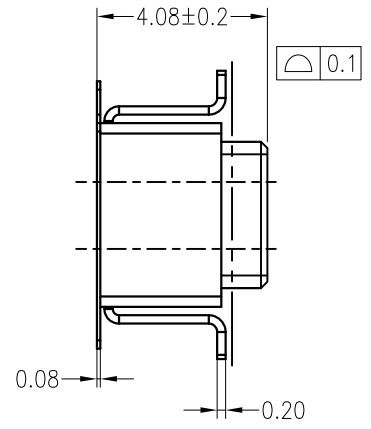
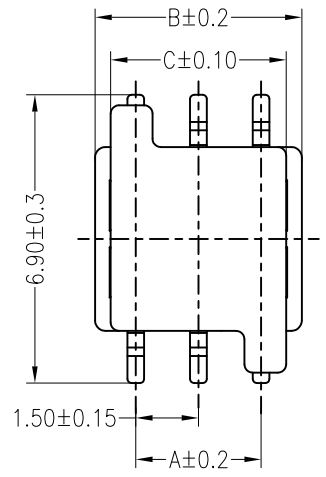


REV	ECN No.	DESCRIPTION	DESIGN	DATE
A0	-	Release	-	2018.06.11
A1		增大麦拉解决抛料问题	蒋建银	2020.05.30

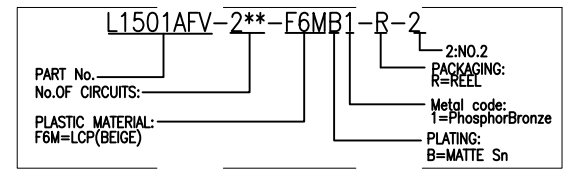


PIN.	DIM A	DIM B	DIM C
2*2	1.50	3.50	3.50
2*3	3.00	5.00	A1 4.20
2*4	4.50	6.50	
2*5	6.00	8.00	
2*6	7.50	9.50	
2*7	9.00	11.00	
2*8	10.50	12.50	

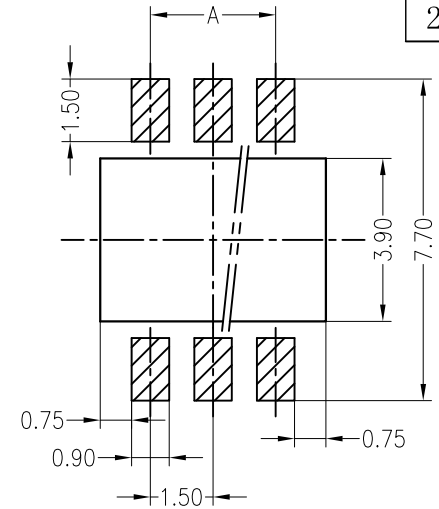
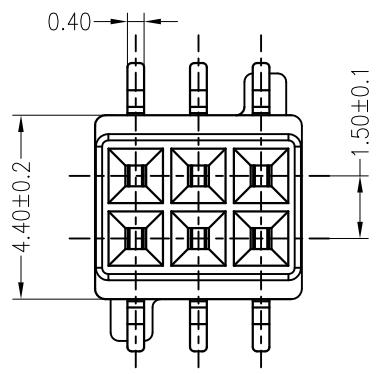
主要技术参数 Main Specifications

线数 (Poles): 04 to 16
 接触电阻 (Contact resistance): $\leq 30m\Omega$
 绝缘电阻 (Insulation resistance): $\geq 500M\Omega$
 额定电压 (Rated voltage): 250V AC DC
 额定电流 (Rated current): 1.0A AC DC
 耐电压 (Withstand Voltage): 500V AC/minute
 温度范围 (Temperature Range): $-40^{\circ}C \sim +110^{\circ}C$

ORDER INFORMATION:



PCB LAYOUT



ITEM	COMPONENT	Q'TY	MATERIAL	FINISH
C	MYLAR	1 PCS		
B	CONTACT	n PCS	PhosphorBronze	MATTE Sn-plated
A	HOUSING	1 PCS	LCP	UL 94V-0, COLOR:BEIGE

JKUN 温州健坤接插件有限公司
WENZHOU JKUN CONNECTOR CO., LTD.

TITLE: -
-

X.±0.5	X.±5'	USE: CUSTOMER	PART NO.: L1501AFV-2**-F6MB1-R-2	
.X±0.3	.X±2'			APPD: 王锋
.XX±0.25	.XX±1'			CHKD: 方松乐
--	--			DR: 蒋建银
UNITS: mm		SCALE 1 : 1	SHEET 1 / 1	